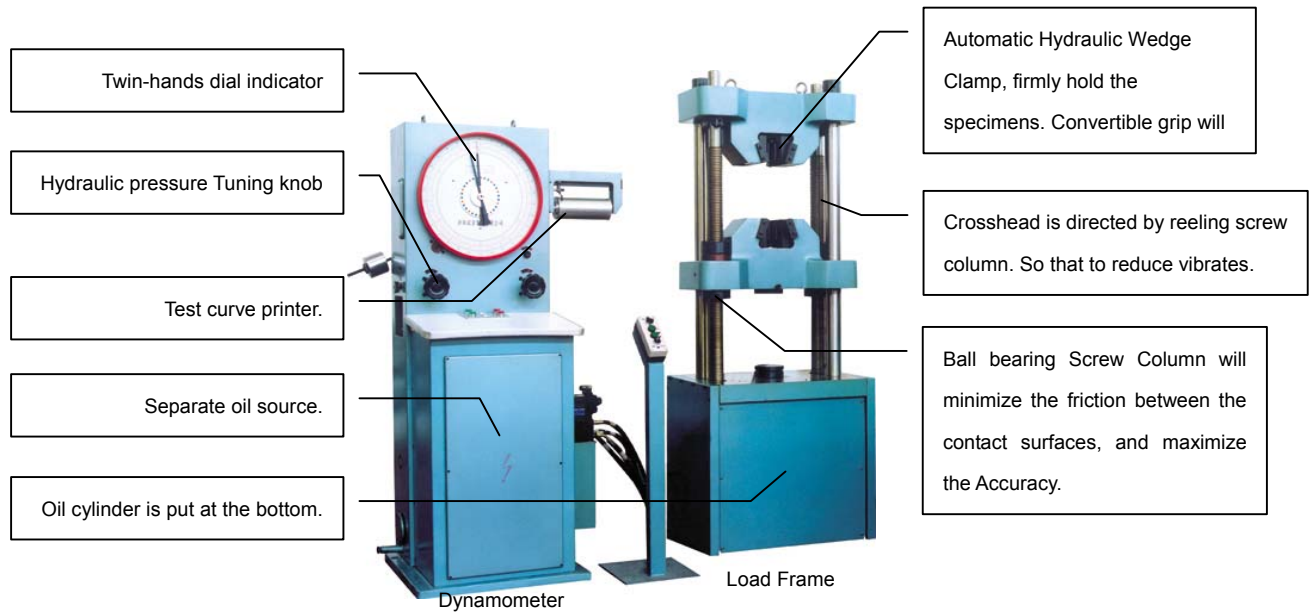


Model WE-300D Hydraulic Universal Testing Machine



Max Load capacity: 300kN (0-60kN, 0-150kN, 0-300kN)

Accuracy of test load: Better than 1%

Tension distance: 550mm

Compress distance: 500mm

Thickness of specimen: 0-15mm

Round specimen: Φ 10mm-32mm

Compression plate: Φ 120mm x 2

Crosshead velocity: 160mm/min by reeling screw

Dimension of load frame: 1945mm x 740mm x 550mm

Power supply: 2kW

Weight of Load frame: 1500kG

Guarantee: One year.

Optional Configuration:

Oil source Cabinet (Right) and Computer controlled system (left) is providing Powerfull operation of Complete system. The oil source has two tuning knobs to make manual loading speed of the load frame. The computer system will timely record the results. With these tools, the operator will easily make out the accurate test report.



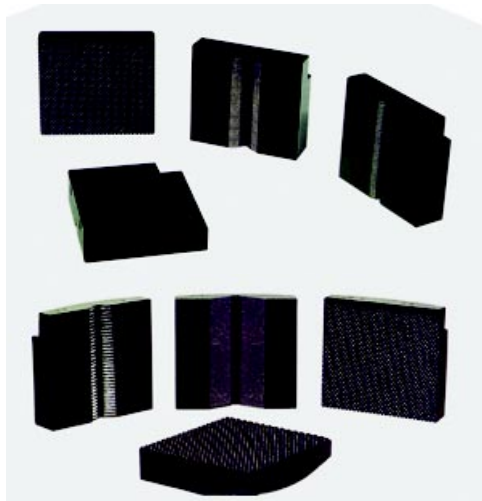
WEW-300D Control system

Standard accessories

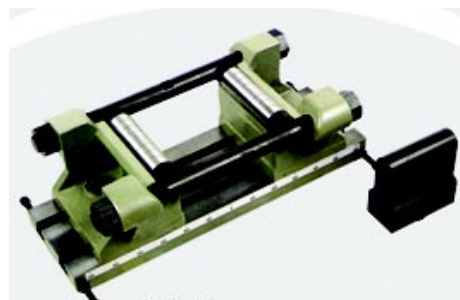
Grips for round specimen		1 set = 4 pieces
Grips for flat specimen		1 set = 4 pieces
Upper Compression plate		1 PCs.
Lower Compression plate		1 PCs.
Accessories for bending test		1 set
Small weight		1 PCs
Weight discs		2 PCs
Anchor nuts & bolts	M16	8 PCs.
Sphere base plate		1 set
High pressure hose		3 PCs
Oil Box		1 PCs
O shape ring		6 PCS
Computer + Printer	WEW-300D	
Extensometer + Amplifier	WEW-300D	
Software + Instruction	WEW-300D	

Tools:

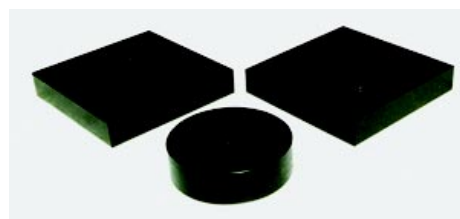
Inner hexagon spanner	1 set each
Tool hook	1 PCs
Threaded rod	1 PCs



Clamps



Bending Accessory



Compression Plate